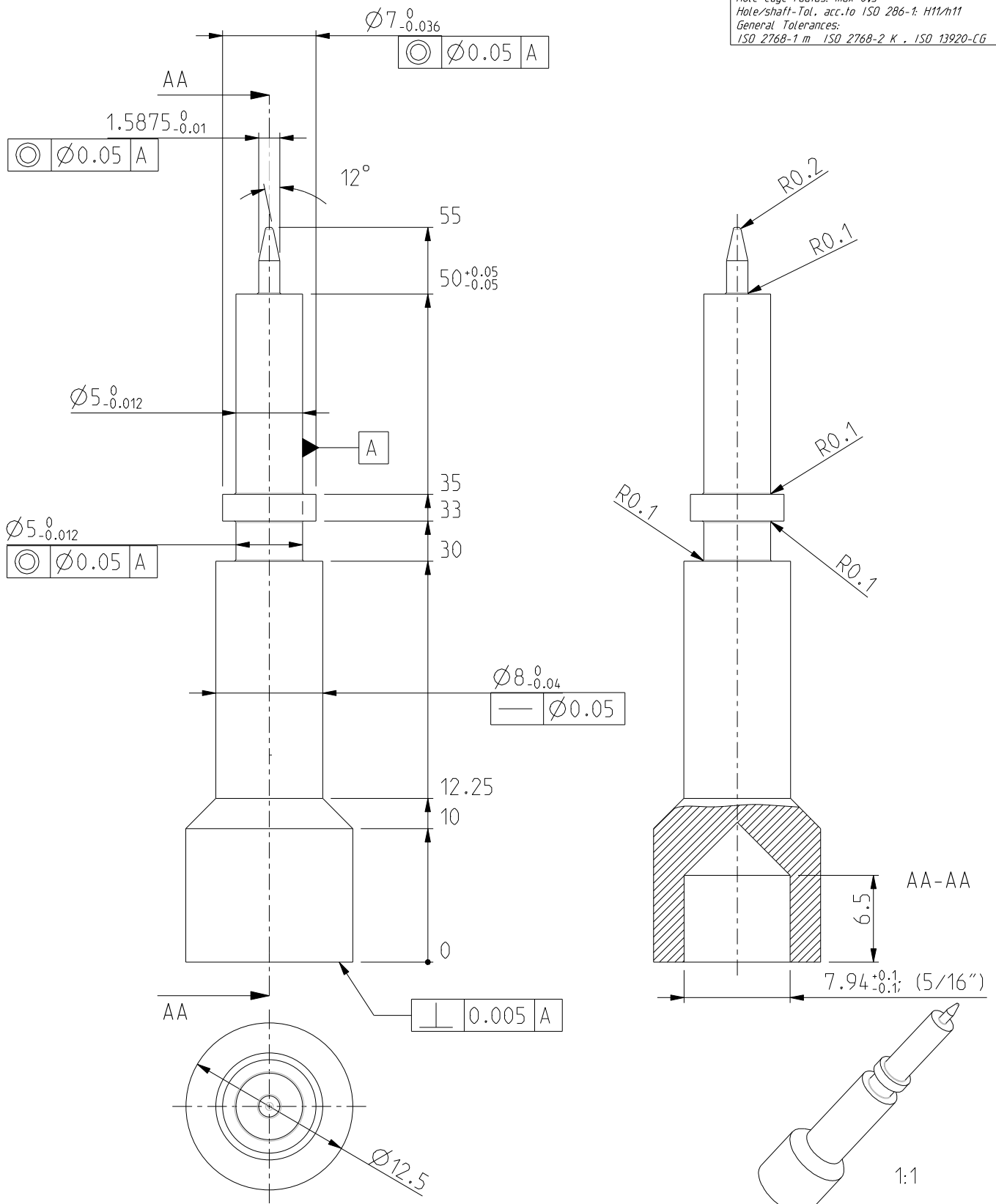


UNLESS OTHERWISE INDICATED:  
 Surface finish: Ra 3.2; Edge chamfers: 0.2  
 Hole edge radius: max 0.3  
 Hole/shaft-Tol. acc.to ISO 286-1: H11/h11  
 General Tolerances:  
 ISO 2768-1 m ISO 2768-2 K . ISO 13920-CG



1	MAGNET_PIN1	PART	AISI 304	-	1
No.	Model name	Type	Material	Main Dimensions	Qty
THIS DRAWING IS PROPERTY OF CENCORP AND CONTAINS CONFIDENTIAL INFORMATION. UNAUTHORIZED REPRODUCTION OF THIS DOCUMENT IS NOT PERMITTED.		Sheet: A4	Tol.Class: f	Scale: 5:2	Draw. JTU 25Aug-20
cencorp		Dowel Pin w/ Magnet		3400_5929_000	
				Revision	2.0